

# GX-K GF-K Series



*GF-K*

*GX-K*



**A&D** ...Clearly a Better Value  
A&D Company, Limited  
<http://www.aandd.jp>

# ***Our revolutionary Super Hybrid Sensor (SHS) technology improves response speed, accuracy and minimizes maintenance costs.***

*SHS technology combines the best of magnetic force restoration and single point parallelogram load sensing technologies. Its unique design provides the fastest response speed in its class - just 1.5 seconds! And if the time ever comes when the SHS needs repair, you just replace one of three parts - there is no need to replace the whole sensor! This offers the user Minimum Maintenance Costs.*

## ***Motor-driven Internal Calibration GX-K***

The GX-K internal calibration with an internal mass saves time and money. External calibration requires a great deal of skill, time and an expensive external mass. With our internal calibration with internal mass, the balance is calibrated very quickly.

- Automatic Self Calibration — Self-calibrates automatically when the balance detects ambient temperature changes.
- One Touch Automatic Calibration — Allows you to calibrate the balance on demand with just the push of a button.

## ***Just 1.5 Seconds — Ultra Fast Response Speed***

- Ultra Fast Response Speed – Just 1.5 Seconds.\* Ideal for installation with filling machines. \* “FAST” setting
- Ultra High Performance with minimum maintenance costs.

## ***Standard RS-232C***

Incorporates bi-directional communication with a PC, printer or other peripheral device.

## ***Standard Windows Communication Tools Software***

A free copy of WinCT - A&D's powerful and flexible data collection software tool for virtually instant connection to a PC and a network of other devices.

## ***Water and Dust Proof***

Balances protected from water and dust up to IP65 level.

### ***Easy to Clean***

Simple and quick draining structure



### ***Water Proof RS-232C Cable*** (Optional GX-07K)



### ***Water Proof***



# GX-K

# GF-K



## GLP/GMP/GCP/ISO Compliance

Allows GLP or LIMS balance management by outputting the balance ID number and data used to calibrate the balance. The data can be output to A&D's AD-8121B printer or a computer, indicating date, time, balance ID number, serial number and calibration data.

## ID Number

The balance ID number can be set. It is used to identify the balance when GLP is in use. The ID number is memorized and maintained once it is fixed, even if the AC adapter is removed.

## Data Memory Function

Format the Data Memory Function for:

- GX-K** • 200 sets of weighing data
  - 100 sets of weighing data with Time & Date
  - 50 sets of GLP Data - Time & Date, Calibration Data, ID number and Serial number
  - 20 sets of Unit Weight for Counting Mode
  - 20 sets of Upper and Lower Limit Values for Comparator Mode
  - 20 sets of Tare Value
- GF-K** • 40 sets of weighing data
  - 50 sets of Unit Weight for Counting Mode
  - 20 sets of Upper and Lower Limit Values for Comparator Mode
  - 20 sets of Tare Value

## Smart Range Function (GX/GF-8K2/32K models only)

Accurate, fine weighing is possible even with a heavy container.

## Time & Date (GX-K models only)

Standard Time & Date Function complies with GLP and Interval Weighing in the Data Memory Function.

## Auto Self Checking

Automatically checks itself when setting the Automatic Adjustable Environment.

## Interval Time Setting

Weighing intervals of 2, 5, 10, 30 seconds and 1, 2, 5, 10 minutes in the Data Memory Function.

## Auto Re-Zero Function

Re-zeroes automatically after data output.

## Multiple Weighing Units & Programmable Unit

Uses Programmable or standard units of measurement. (g, ct, dwt, etc.)

## Quick Reference Card

A concise, convenient operating guide on the base of the balance.



**Animal Weighing Mode** allows you to quickly and accurately determine the weight of any live or unstable subject. Optional animal weighing pan is available.



**Automatic Adjustable Environment Setting** Adapts to the most suitable Environment Response Setting automatically with one-touch key operation. The response annunciator displays "FAST", "MID" and "SLOW." (GX-K)

**Manual Response Adjustment** can be set by pressing the MODE key and response speed can be adjusted to FAST, MID or SLOW. (GF-K)



**Standard Comparator Function** offers increased flexibility and compatibility for a vast number of applications. You can input a target weight and weigh heavier or lighter items using either the keyboard or by placing samples on the pan. HI, OK or Lo will be indicated on the display to show the comparison results. (GX-04 Comparator out)



**Automatic Counting Accuracy Improvement (ACAI)** is a novel and useful approach to ensuring the utmost in performance when counting even the smallest of items. ACAI automatically updates and refines the average piece weight used to determine the total quantity.



**Percentage Function** facilitates an effective and quick comparison of a sample or commodity against a known reference mass. Simply place an object on the pan to register its weight as 100%. Place another object on the pan to compare its weight in percentage mode.



**Overall Capacity Indication** is a unique and helpful feature. By indicating how much of the balance's capacity has been filled, the risk of overloading the balance is minimized.

## Specifications

	GX-8K	GX-8K2	GX-10K	GX-12K	GX-20K	GX-30K	GX-32K
	GF-8K	GF-8K2	GF-10K	GF-12K	GF-20K	GF-30K	GF-32K
Weighing capacity	8.1kg	8.1kg/2.1kg	10.1kg	12kg	21kg	31kg	31kg/6.1kg
Minimum weighing value	0.01g	0.1g/0.01g	0.01g		0.1g		1g/0.1g
Repeatability (Standard Deviation)	0.01g	0.05g/0.01g	0.01g		0.1g		0.5g/0.1g
Linearity	±0.03g	±0.1g/±0.02g	±0.03g		±0.2g		±1g/±0.2g
Stabilization time (on FAST setting)	Approximately 1.5 seconds						
Sensitivity drift (10°C to 30°C, when automatic self calibration is not used)	±2ppm/°C	±3ppm/°C	±2ppm/°C		±3ppm/°C		±5ppm/°C
Operating temperature & humidity range	5°C to 40°C, below 85%RH (no condensation)						
Calibration	Motor-driven Internal Calibration (GX-K)						
Display refresh rate	5 times/second or 10 times/second						
Counting mode	Minimum unit mass	0.01g	0.1g	0.01g	0.1g		1g
	Number of samples	10, 25, 50 or 100 pieces					
Percent mode	Minimum 100% reference mass	1g	10g	1g	10g		100g
	Minimum percentage display	0.01%, 0.1%, 1% (depends on reference mass stored)					
Transmission	RS-232C (provided as standard, with WinCT, our proprietary data transmission software)						
Water and dust proof specifications	Compliant with IP65						
Weighing pan dimensions	270(W) x 210(D) mm (10.62 x 8.26 inches)						
External dimensions	300(W) x 355(D) x 111(H) mm (11.81 x 13.97 x 4.37 inches)						
Power supply (AC adapter)	Confirm that the adapter type is correct for the local voltage and power receptacle						
Net weight	GX-K: Approximately 9.3kg / GF-K: Approximately 8.3kg						

1. Even if a heavy tare is used, the measurement can still be made within the fine range. (Smart range function) (GX-8K2/32K)
2. We recommend regular calibration and maintenance using an external calibration mass for more accurate linearity. (GX-K)
3. The internal mass is equal to (approximately) 860 grams. (GX-K)

## Options

- GX-04K\*1 Comparator Output with Buzzer/  
RS-232C/current loop output
- GX-06K\*1 Analog output/current loop output
- GX-07K\*2 Waterproof RS-232C cable (5m)
- GXK-012 Animal weighing pan
- GXK-015 Carrying case

\*1 GX-04K, GX-06K, and the RS-232C (provided as standard) cannot be used at the same time.  
Water and dust proof specifications cannot be applied when the GX-04K or GX-06K is installed.

\*2 Use the GX-07K optional water proof RS-232C cable in order to use the standard RS-232C interface for water and dust proof (IP65) capabilities.

## Accessories

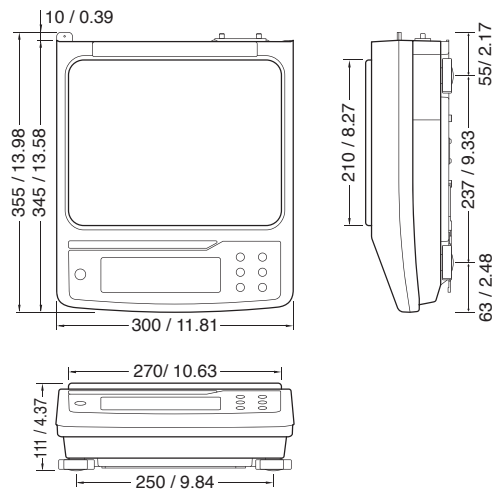
- AD-1682 Rechargeable battery unit
- AD-1683 Static eliminator
- AD-1684 Electrostatic fieldmeter
- AD-1688 Weighing data logger
- AD-1689 Tweezers for calibration weight
- AD-8121B Compact printer
- AD-8920A Remote display
- AD-8922A Remote controller
- AD-8526 Serial/Ethernet converter
- AD-8527 Quick USB adapter
- AX-GXK-31 Simple breeze break
- AX-KO1710-200 RS-232C cable (25P-9P, 2m)
- AX-SW128 Foot switch
- AX-USB-25P Serial/USB converter

Specifications subject to change for improvement without notice.



AD-8121B

## Physical Dimensions (mm/inches)



AD-1688



### A&D Company, Limited

3-23-14 Higashi-Ikebukuro, Toshima-ku, Tokyo 170-0013 JAPAN  
Telephone:[81](3) 5391-6132 Fax:[81](3) 5391-6148  
http://www.aandd.jp

### A&D ENGINEERING, INC.

1756 Automation Parkway, San Jose, CA 95131 U.S.A.  
Telephone:[1](408) 263-5333 Fax:[1](408) 263-0119

### A&D Australasia Pty Ltd.

32 Dew Street, Thebarton, South Australia 5031 AUSTRALIA  
Telephone:[61](8) 8301-8100 Fax:[61](8) 8352-7409

### A&D INSTRUMENTS LTD.

Unit 24/26 Blacklands Way Abingdon Business Park,  
Abingdon, Oxon OX14 1DY UNITED KINGDOM  
Telephone:[44](1235) 550420 Fax:[44](1235) 550485

### <German Sales Office>

Hamburger Straße 30 D-22926 Ahrensburg GERMANY  
Telephone:[49](0) 4102 459230 Fax:[49](0) 4102 459231

### A&D KOREA Limited

Manhattan Bldg. 8F, 36-2 Yoido-dong, Youngdeungpo-gu, Seoul, KOREA  
Telephone:[82](2) 780-4101 Fax:[82](2) 782-4280

### A&D RUS CO., LTD.

Vereyskaya str.17, Moscow, 121357 RUSSIA  
Telephone: [7] (495) 937-33-44 Fax: [7] (495) 937-55-66

### A&D Instruments India Private Limited

509 Udyog Vihar Phase V  
Gurgaon-122 016, Haryana, INDIA  
Telephone: [91](124) 471-5555 Fax: [91](124) 471-5599